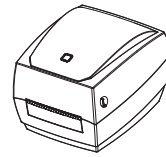
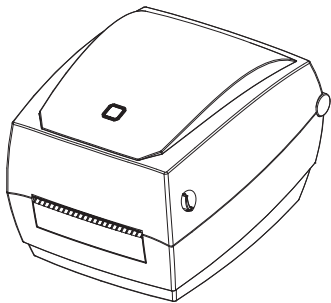
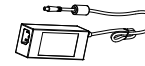


Quick Start Guide

PR-600 Series HPRT-HT100



Printer



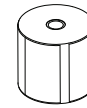
AC Adapter



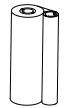
Power Cord



USB Cable



Label Roll



Ribbon



CD

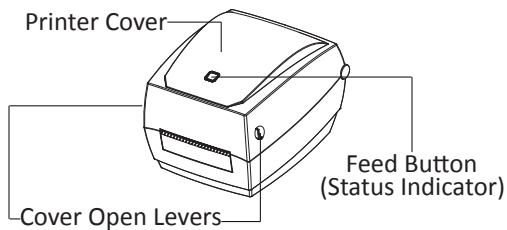


Quick Start Guide

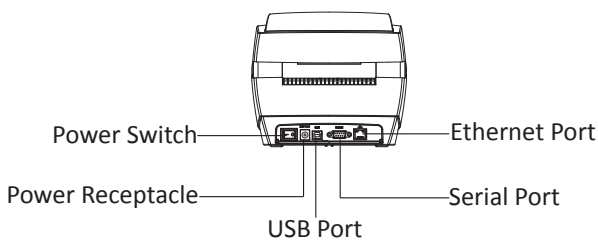
⚠ Note: The packing materials are actually based on the order.

Appearance and Components

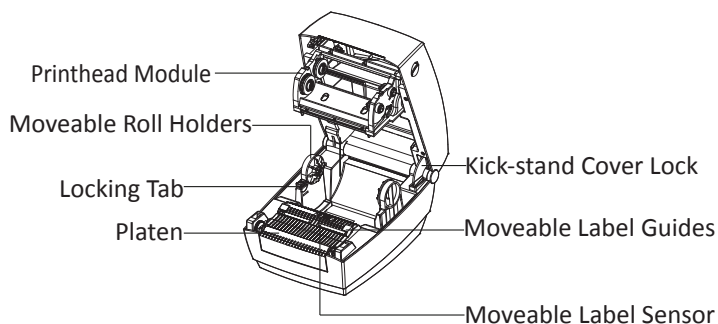
■ Front View



■ Rear View



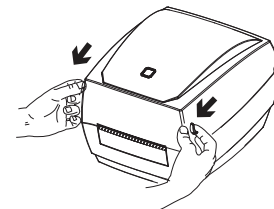
■ Inside View



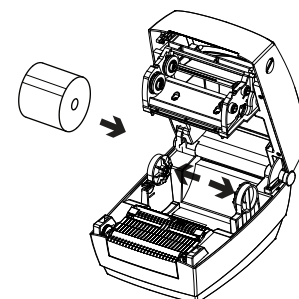
⚠ Note: The views above are for your reference. Ports vary by your choice.

Loading the Roll

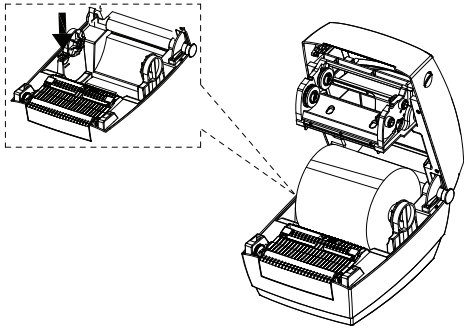
1. Pull and lift the cover.



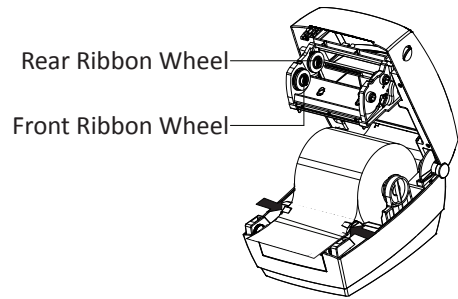
2. Pull the roll holders open and place the roll between them.



3. Press down the locking tab.

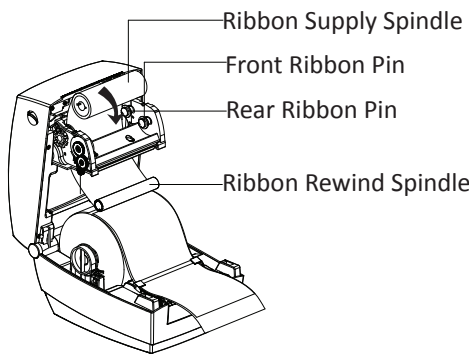


4. Pass the labels through label guides and adjust label guides to label's width.

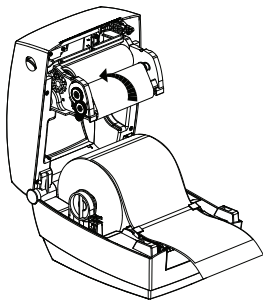


Loading the Ribbon

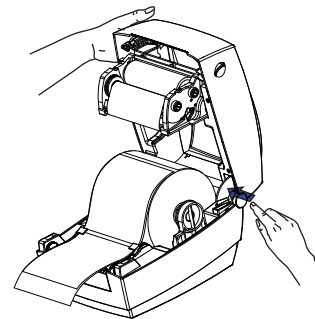
1. After putting rewind spindle through printhead module, insert the right side of supply spindle into the rear pin, and then insert the left side into the rear wheel. Then do the same procedure for the ribbon rewind spindle.



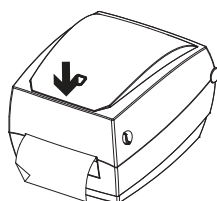
2. Rotate the front ribbon wheel until the ribbon is pulled tightly.



3. Press the lock and close the cover slightly.

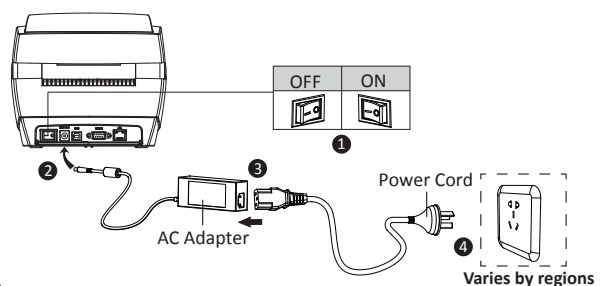


4. Press down the cover until it snaps closed.



Connecting the Power

1. Make sure the printer's power switch is in the off position.
2. Connect the AC adapter to power receptacle.
3. Connect the power cord to AC adapter.
4. Connect the other end of power cord to the outlet.



Note: Please refer to windows driver installation in *PR-600 Series HPRT-HT100 User Manual*.