

NLS-HR100 series

Hand-held CCD Scanner



A general-purpose, high-performance CCD hand-held scanner for 1D barcode scanning, suitable for most bar code scanning needs.

Product Features

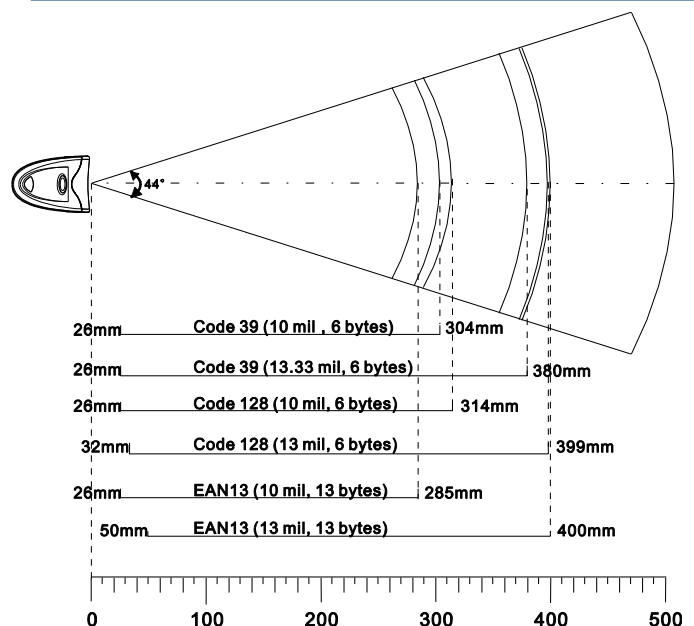
- **Durable and Easy to Operate**

This is well-designed, ergonomic and high-performance hand-held CCD scanner can be used in various applications such as retail, logistics, office automation and many more. With a scan speed of 300 scans/per second and a decode distance of more than 30cm, it is a solid (state) alternative to hand-held laser scanning.

- **Advanced Technology**

Includes core-technology **UIMG[®]**, which is independently designed and manufactured by Newland Auto-ID. **UIMG[®]** technology includes the optical, CMOS, CCD, digitizer, decoder, image processing & embedded systems. The scanner supports all global standard 1D barcode symbologies. Its' reading performance reaches and exceeds global standards. By using the accessories provided, the user can ideally set up the scanner to its user environment.

Depth of Field



Specifications

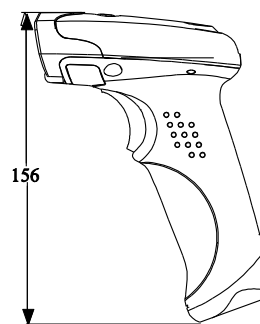
Performance		
Image Sensor	Linear CCD	
Interface	USB-HID, True RS232, TTL level RS232, Keyboard Wedge	
Symbologies	Code128, EAN-13, EAN-8, Code39, UPC-A, UPC-E, Codabar, GS1 Databar, Interleaved 2 of 5, ISBN, Code 93 etc.	
Precision	≥ 5mil(Condition: PCS=0.9, testing code: Code 39)	
Light Source	Visible LED Diode 620 nm	
Scanning Speed	300 scans per second	
Depth of Scan Field	25mm-390mm	
Print Contrast Signal	≥ 30%	
Sensitivity**	Pitch	±55°@ 0°Roll and 0° Skew
	Roll	±25°@ 0°Pitch and 0° Skew
	Skew	±75°@ 0°Roll and 0° Pitch
Illumination	0 ~ 80,000 LUX	
Mechanical/ Electrical		
Power Consumption	0.75W (Max)	
Voltage	DC 5.0V	
Current	Peak	150mA
	Working	120mA
	Idle	45mA
Colours	Black OR White	
Weight	105g	
Environment		
Operate Temperature	-0°C to + 50°C	
Storage Temperature	-40°C to + 60°C	
Humidity	0 to 95% relative humidity(non-condensing)	
Drop	1.5 m drops to concrete	
Certifications		
FCC Part15 Class B, CE EMC Class B		
Accessories		
Bracket	The bracket for HR100, the HR100 could be mounted in the bracket.	
RS232 Cable	This cable connects to the RS232 port of HR100 with a RJ45 port. With a standard female RS232 port to connect to standard male RS232 port.	
Flex Cable	With a power port to accept power adapter supply. This cable connects to the USB Slave port of HR100 with a RJ45 port.	
USB Cable	With a standard USB Slave port to connect to standard USB Host port.	
PS/2 Cable	This cable connects to the KBW port of HR100 with a RJ45 port. With a PS/2 Host port.	
Power Adapter	The power adapter for HR100 by the RS232 Cable. Output: DC 5V, 2A; Input: AC100~240V, 50~60HZ.	

**Test Condition:

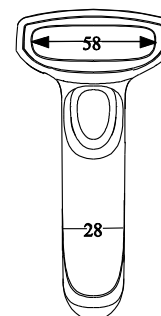
Code39: 3 Bytes ; Resolution = 10mil; W:N = 3:1 ; PCS = 0.8 ;

Barcode Height = 11mm; Distance = 120mm; T=23°C; Illumination= 200 LUX

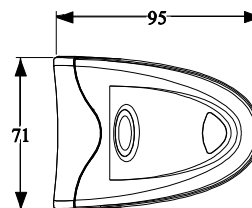
Dimension (Unit: mm)



Left View



Front View



Top View

Contact Us

Newland China
+86-400-608-0591
sales@nlscan.cn

Newland Europe
+31(0)-345-87-0033
info@newland-id.com

Newland Taiwan
+886-2-7731-5388
info@newland-id.com.tw

Newland North America
+1-510-490-3888
info@newlandna.com